



LED controls with optional keypad



Optional front access condensate pan

| Model configurations |        |                             |          |                |
|----------------------|--------|-----------------------------|----------|----------------|
| Controls             | Keypad | Front access condensate pan | V/Hz/Ph  | Item number    |
| <b>LED</b>           | No     | No                          | 115/60/1 | <b>REF2</b>    |
|                      | No     | Yes                         | 115/60/1 | <b>REF2-PR</b> |
|                      | Yes    | No                          | 115/60/1 | <b>REF2-KP</b> |

## Options and accessories

- Factory-installed keypad locking system (must be specified at time of order)
- Factory-installed slide-out drawer with removable condensate pan (must be specified at time of order)
- Wall mount bracket (item# 00969949)
- Organizing bins, 6 (item# 00969931)
- Extra shelf (item# 00969956)
- Temperature surveillance module (item# 00168674) (includes alarm, 6.00" (15.24 cm) chart recorder, remote contacts)
- Pedestal, fan-assist, 4.50" (11.43 cm) (item# 01025899)
- Pedestal, 12.00" (30.5 cm) (item# 01025881)
- NO/NC dry contacts for connection to remote alarm systems (item# 01092022)
- Stacking kit – countertop on countertop (item# 01100742)
- Stacking kit – countertop on Performance Plus undercounter (item# 01100759)
- Stacking kit – countertop on REF/FZR Series (Legacy) undercounter (item# 01142363)

## Features

### Superior temperature performance

- heavy-duty compressor and forced air cooling
- quiet compressor and coaxial fans
- non-CFC R134a refrigerant

### Convenience and security

- exterior LED displays product temperature in user-selectable F or C
- "sleep mode" turns off display
- user-programmable, audible and visual high/low alarms
- lockable controller prevents inadvertent setpoint changes
- adjustable refrigeration set points are accessed through front controls
- high/low temperature log shows highest and lowest product temperature recorded
- cylinder door lock supports Joint Commission standards for medication storage
- back wall port provides entry for third-party probes
- flush door design, compatible with standard automated dispensing system brackets

### Durability and serviceability

- stainless steel construction on exterior and interior
- rubberized feet
- two epoxy-coated wire shelves
- heavy-duty edge-mount self-closing hinges
- field-reversible door
- removable back panel for easy service access to compressor, condenser and fans
- dart-type magnetic gasket
- dished floor for easy cleanup

### Warranty

- 2 year parts and labor on refrigeration system
- 5 year parts on compressor

Job

Item

## Specification

|   |                                |
|---|--------------------------------|
| Nominal capacity  | 1.8 cu ft (51 L)               |
| Ventilation clearance with more than 8.00" (20.32 cm) top clearance | 2.00" (5.08 cm) for both sides |
| Ventilation clearance with less than 8.00" (20.32 cm) top clearance | 6.00" (15.24 cm) for one side  |

## Exterior

|                           |  |
|---------------------------|--|
| <b>W1</b> Width           | 18.60" (47.2 cm)   |
| Depth at top              | 24.00" (61.0 cm)   |
| <b>D1</b> Depth at bottom | 20.00" (50.8 cm)   |
| <b>H1</b> Height          | 27.93" (70.9 cm)   |
| Door swing                | standard with self-closing right hinge, field reversible |

## Interior

|                |   |
|----------------|---|
| Width          | 14.50" (36.8 cm)  |
| Depth          | 10.00" (25.4 cm)  |
| Height         | 21.25" (54.0 cm)  |
| Storage system | (2) 13.75" x 9.00", (34.9 cm x 22.8 cm) epoxy-coated wire shelves |

## Door configurations

|             |                                |
|-------------|--------------------------------|
| Door        | stainless steel                |
| Door lock   | cylinder door lock with 2 keys |
| Door hinges | edge-mount, self-closing       |
| Gasket      | magnetic, dart-style           |

## Electrical

|                                 |  |
|---------------------------------|--|
| <b>C1</b> 115 V/60/1 electrical | 1.8 full load amps, NEMA 5-15P 90° hospital-grade plug<br>low profile, SJT, 18 AWG,<br>8' (2.4 m) cord |
|---------------------------------|--|

## Controls

|                              |  |
|------------------------------|--|
| Temperature display          | standard 7 segment LED, default set in C, user-selectable F or C             |
| Display sleep function       | button turns off display, press again to turn back on                        |
| Factory preset               | 4.4 C  |
| Probes                       | 2 probes : P1 controls refrigeration system; P2 provides product temperature |
| Product simulation bottle    | (1) 60 ml  |
| Programmable operating range | 2.2 to 10 C (36 to 50 F)   |

## Alarming

|  |  |
|--|--|
| High and low product temperature alarm | audible and visual, user programmable set points in F or C               |
| Alarm                                  | user-programmable high/low; audible and visual alert; audible alarm mute |
| Alarm delay                            | user-programmable 0 to 255 min   |

## System performance

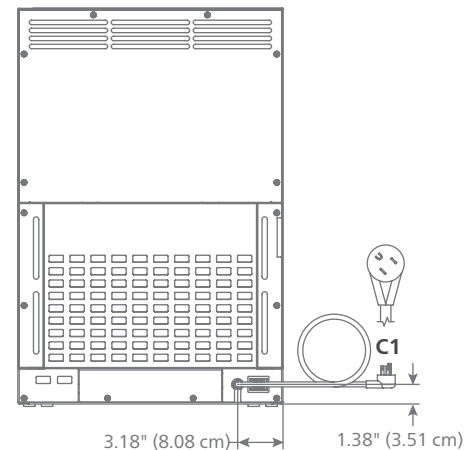
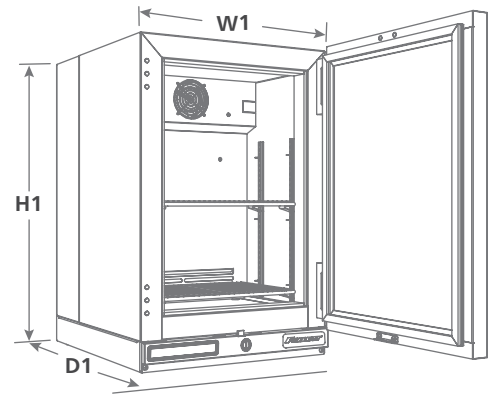
|                        |                                  |
|------------------------|----------------------------------|
| Refrigerant and charge | R134a refrigerant, 3.4 oz charge |
| Automatic defrost      | no heated defrost cycle required |
| Energy consumption     | 1.4 kWh/day                      |
| Max heat rejection     | 190 BTU/hr                       |

## Shipping

|                           |                |
|---------------------------|----------------|
| Approximate net weight    | 73 lb (33 kg)  |
| Approximate ship weight   | 109 lb (49 kg) |
| NOTE: For indoor use only |                |

**SHORT FORM SPECIFICATION:** Refrigerator with solid stainless steel door fits on standard 24.00" (61.0 cm) deep countertop and under standard 18.00" (45.7 cm) wall-hung cabinets with 1.8 cubic feet (51 L) of nominal capacity. Includes (2) epoxy-coated wire shelves, adjustable in 1/2" increments. Environmentally responsible R134a forced-air cooled refrigeration system. Bottom-mounted controls display product temperature in user-selectable C or F. Integral high and low temperature alarming. Storage area insulated with CFC-free, high-density polyurethane foam. 8' (2.4 m) power cord with NEMA 5-15P 90° hospital-grade plug. NSF, UL and CUL listed.

## Dimensional drawing



FOLLETT HEALTHCARE is a trademark of Follett LLC.  
FOLLETT is a registered trademark of Follett LLC, registered in the US.  
Follett reserves the right to change specifications at any time without obligation. Certifications may vary depending on country of origin.

## REF2 countertop refrigerator